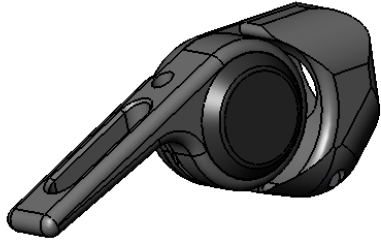


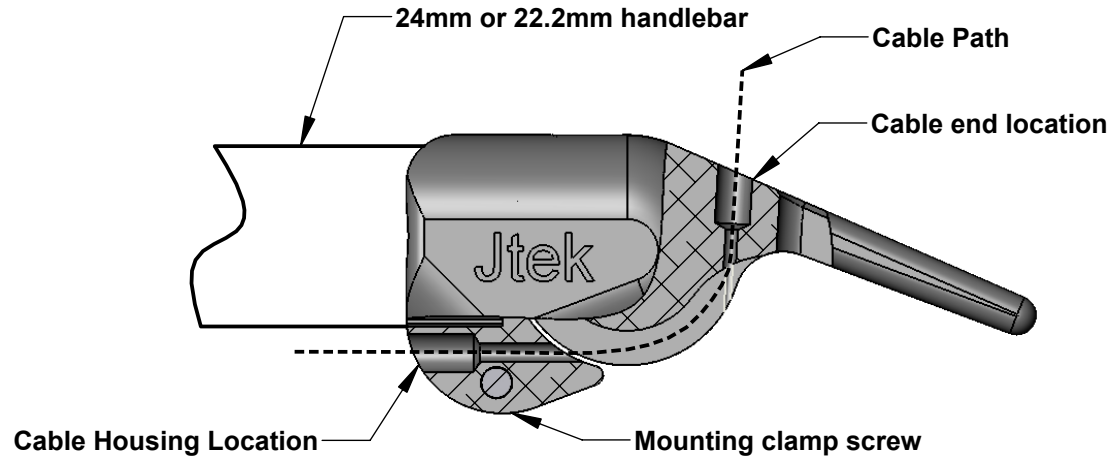
Jtek Engineering Inc

# Bar-End Shifter

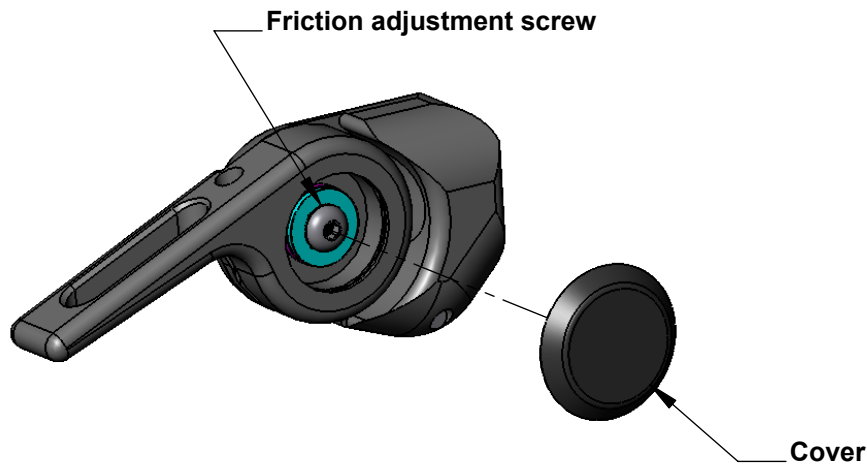
Bicycle shifter for Internal Hub Systems



Jtek Engineering Inc  
5965 138 St N.  
Hugo, MN 55038 USA  
www.jtekengineering.com  
Phone: 651-340-9770



To adjust shifter lever friction, gently remove cap with fingernail and tighten or loosen friction adjust screw



## Installation

Shift lever is designed to clamp mount to standard 24mm or 22.2 diameter handlebars. Inspect to make sure fit to handlebar is close to the diameter of mounting hole in shifter and not too loose for a proper clamp fit. Gently tighten clamp mounting screw when installing being careful not over tighten. Inspect with a firm grip to make sure shifter is tightly mounted to handle bar.

Shifter cable housing can be 5mm or 6mm diameter. No housing barrel end is intended to be used for cable housing routing in shifter. Follow hub manufacturers instructions for shifting setup to hub.

Note: Included is a 22.2 mounting shim. Use this shim when mounting to 22.2 diameter bars. When installing, make sure the slot in shim aligns with slot in shifter.