

Jtek Engineering

20 Devonshire Street
Bridgwater
Somerset
TA6 5ER
United Kingdom

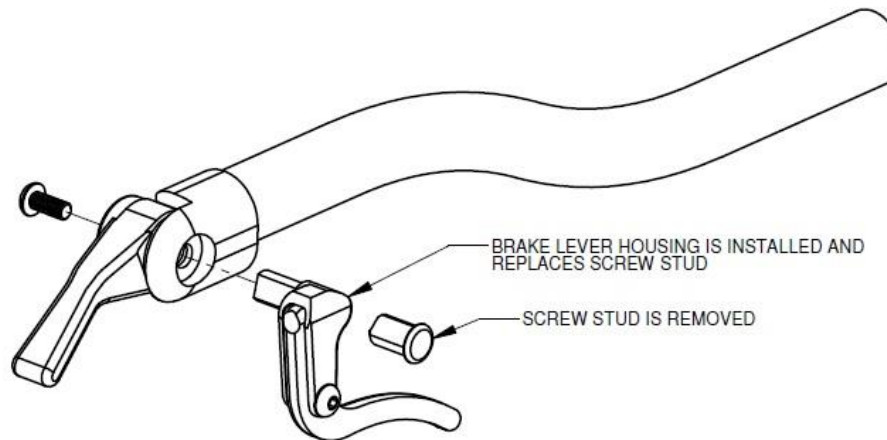
AeroBrake

Bar end shifter
mounted brake lever

The AeroBrake is a compact and lightweight brake lever designed to mount to existing bar end shifters for both Campagnolo and Shimano type systems.

Installation: Start by making sure you have purchased the correct model to operate with the side and brand shifter you want to install lever on. The AeroBrake mounts to the shifter by replacing the existing screw stud used to mount the shift lever. The stud is removed and then replaced with the AeroBrake lever housing. Once brake lever is in place, the cable housing can be installed and routed.

SHIFTER MAKE	BAR SIDE USED	AEROBRAKE LEVER MODEL
CAMPAGNOLO	RIGHT	CR
CAMPAGNOLO	LEFT	CL
SHIMANO	RIGHT	SR
SHIMANO	LEFT	SL



Warning: Always test your brakes for proper operation before riding. It is important that you understand the operation of this device and your braking system. Make sure you take the time and are careful to learn any changes in handling characteristics new braking positions may have on your bicycle. Improper use or adjustment, may lead to loss of control and severe injury.