

# Jtek Engineering DropStop

Chain Anti-Drop device



Jtek Engineering  
20 Devonshire Street  
Bridgwater  
TA6 5ER  
United Kingdom

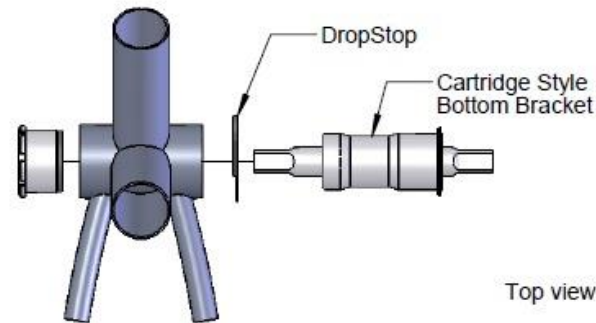
info@jtekengineering.com

## DropStop instructions

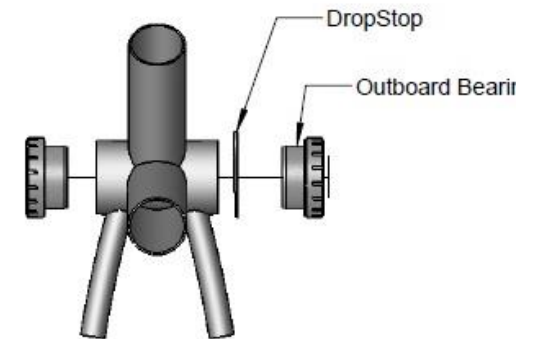
The DropStop is designed to eliminate chain drop on front chainrings. The chain tab prevents the chain from falling off the inside chainring and keeps it in place. The DropStop mounts using the bottom bracket of the bicycle for a universal mounting system which avoids mounting problems associated with frame clamped designs.

The DropStop is designed to be installed with cartridge or outboard bearing style bottom brackets. Typical installation requires the removal of the bottom bracket or outboard bearing flange which is then reinstalled and used to mount the DropStop into position.

**Note:**  
Depending on the bottom bracket and spacer arrangement, installing the DropStop will cause a very small shift in chainline of 1.3mm (.05 inches). Typically this will be of no concern other than it may require that the front derailleur stops screws be re-adjusted.



STANDARD CARTRIDGE BOTTOM BRACKET STYLE MOUNTING



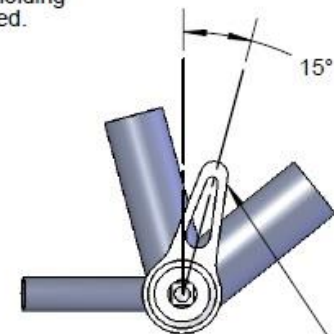
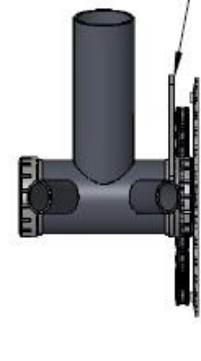
OUTBOARD BEARING STYLE MOUNTING

Top views

Mount with releaved area facing bottom bracket



The tab portion of the DropStop can be bent to fine tune the chain holding position if needed.



Position DropStop at approximately 15° angle or in a position which clears front derailleur