

Jtek Engineering

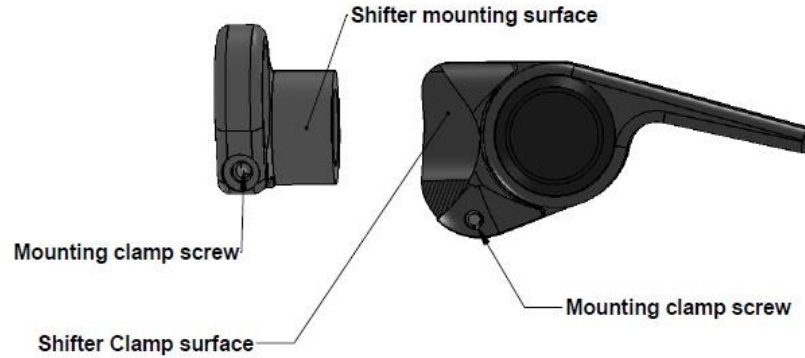
## 22.2mm thumb mount adapter

For Jtek Bar-end shifters



Jtek Engineering  
20 Devonshire Street  
Bridgwater  
Somerset  
TA6 5ER  
United Kingdom

### mounting guide



### Installation

The Jtek Thumb mount adapter is designed to mount to a 24mm Jtek bar-end shifter while mounting to a 22.2mm handlebar allowing for more mounting options.

Inspect to make sure fit to handlebar is close to the diameter of mounting hole in the thumb adapter and not too loose for a proper clamp fit. Gently tighten clamp mounting screw when installing being careful not over tighten. Always make sure to inspect clamping points with a firm grip making sure the shifter and adapter are mounted to the handle bars securely. The clamping points are shown and labeled in the diagram below.

### Mounted

